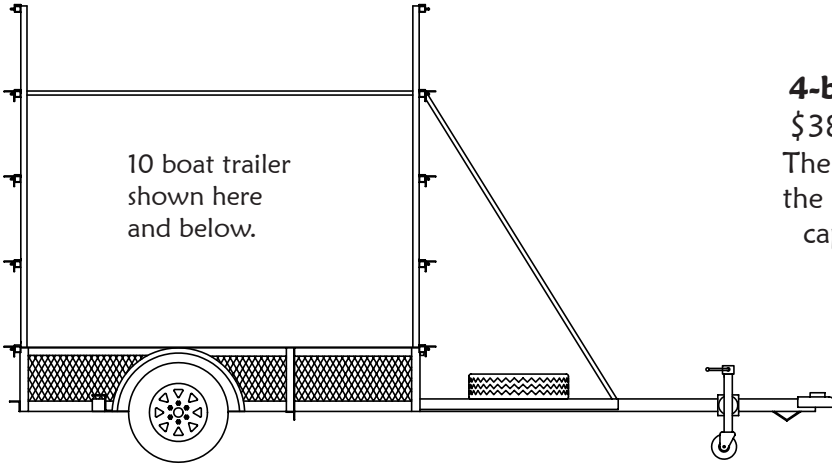


'STANDARD' CANOE & KAYAK TRAILERS



PRICES:

4-boat	6-boat	8-boat	10-boat
\$3845	\$3945	\$4045	\$4145

The number of boats indicates the canoe capacity of the trailer (the number of rung spaces); the kayak capacity is normally double to triple this number.

OPTION PRICES:

- 2-Boat Conversion - removable top rung converts 4 to 6, 6 to 8 or 8 to 10 \$ 3 0 0
- 1 7/8" ball coupler no charge
- Bungee cords \$ 3 / e a
- Galvanized wheels no charge
- Custom trailer configurations as quoted.

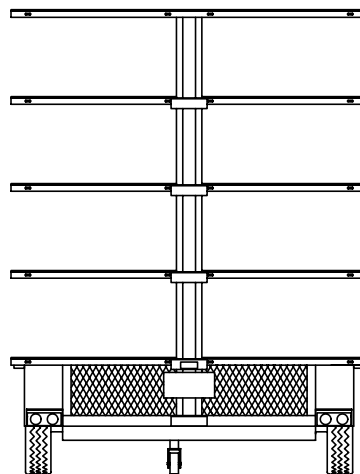
'Small' Canoe Trailers are available with 2 or 4 canoe capacity - lighter to tow. "Standard" Kayak trailers are also available.

STANDARD FEATURES:

- Heavy duty steel frame and expanded steel (puddle free) cargo box. The 8-boat trailer weighs approximately 800 lbs.
- Independent, rubber torsion suspension provides a smooth, quiet ride and lower frame height.
- Easily lubed hubs -- lubricate all bearings without disassembly.
- Axle positioned for a stable ride and to prevent flipping when not attached to a vehicle (even when climbing on rear steps).
- 13" tires and white spoke wheels. Spare tire and wheel are standard. Sturdy metal fenders with closed backs.
- 2" ball coupler. Flip-up 6" jack wheel.
- Steps on front and rear trees.
- Rung protection stripping made from durable, non-marring rubber. Protective end caps and two tie-down points on each rung.
- LED tail/side marker lights that are mounted high and protected by steel channel. LED front marker lights. Lighted license plate holder. 4-wire plug (flat style).
- Color: Gloss black.
- Designed and used by us, daily.
- Registered with National Highway Traffic Safety Administration.

DIMENSIONS AND RATINGS:

- Width of lower rungs 39"
- Vertical clearance between rungs 19"
- Overall length 16' - 8"
- Overall width (width of top rung) 7' - 0"
- Overall height 4-boat: 4' - 1", 6-boat: 5' - 9½", 8-boat: 7' - 6", 10-boat: 9' - 2½"
- G.V.W.R. 2000 lbs
- Optimum top of ball height 16 to 17".



CARGO BOX:

- Width 4' - 11½"
- Length 8' - 0" (distance between trees)
- Depth 16" (cooler compatible)
- Volume 52 cubic feet